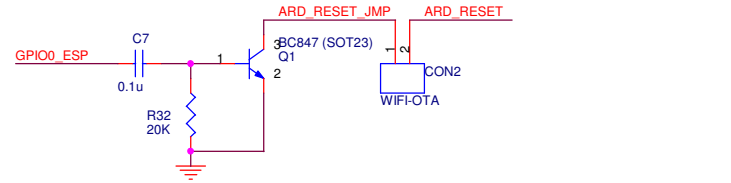
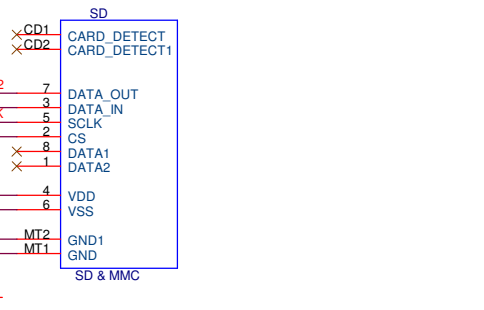
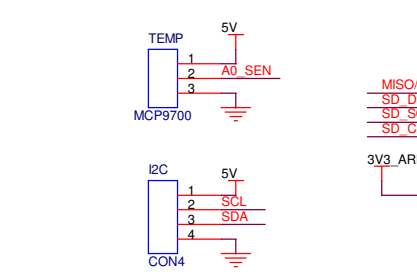
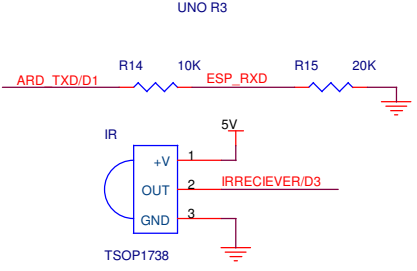
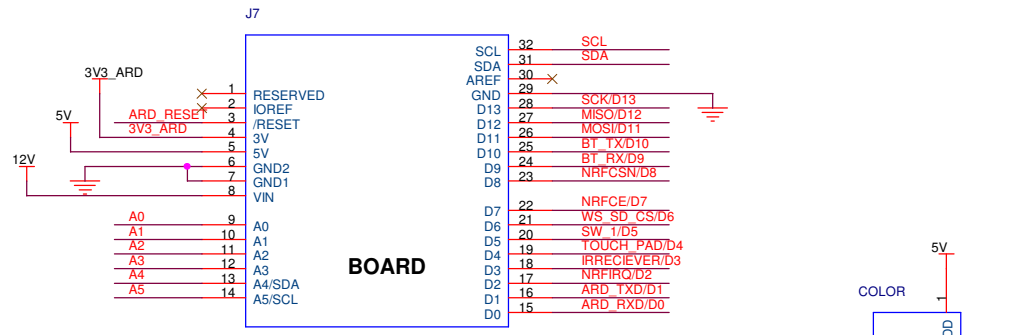
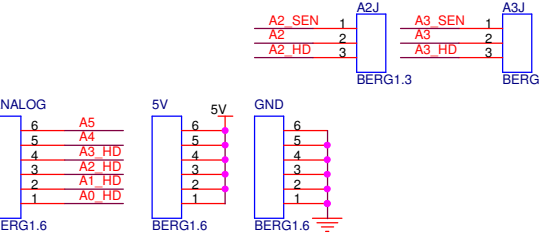
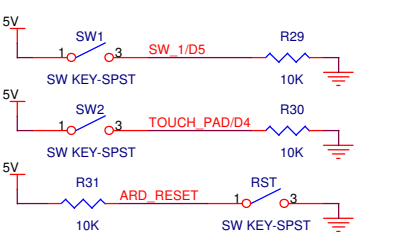
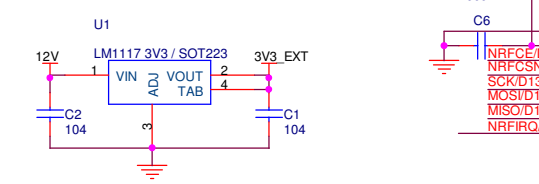
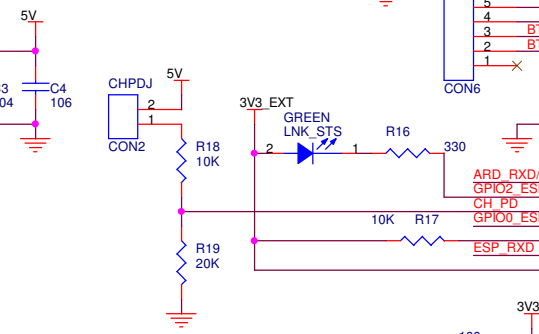
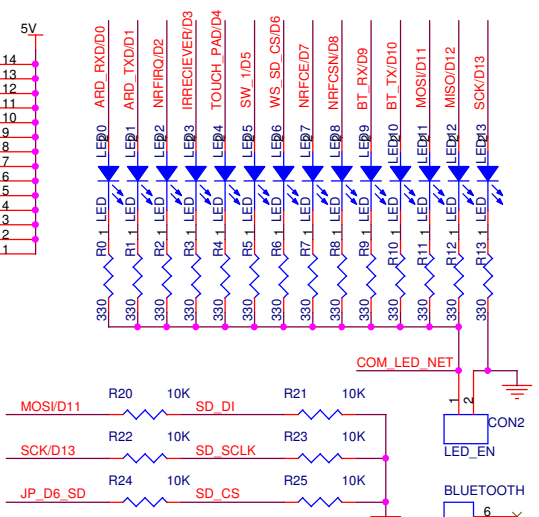
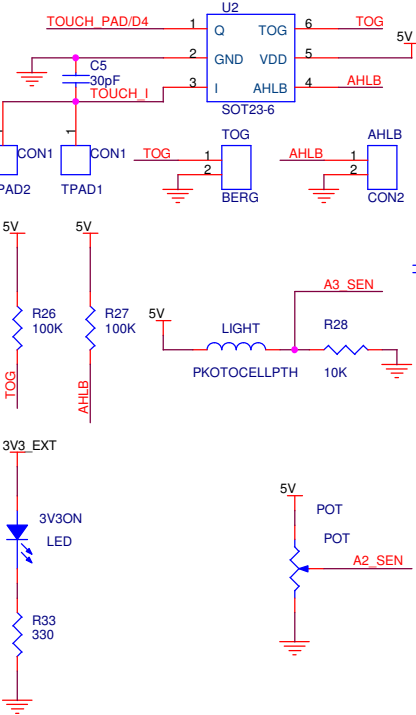


U2 PLACE ON BOTTOM SIDE



Title	<Title>	
Size	Document Number	Rev
B	<Doc>	0
Date:	Wednesday, April 13, 2016	Sheet 1 of 1