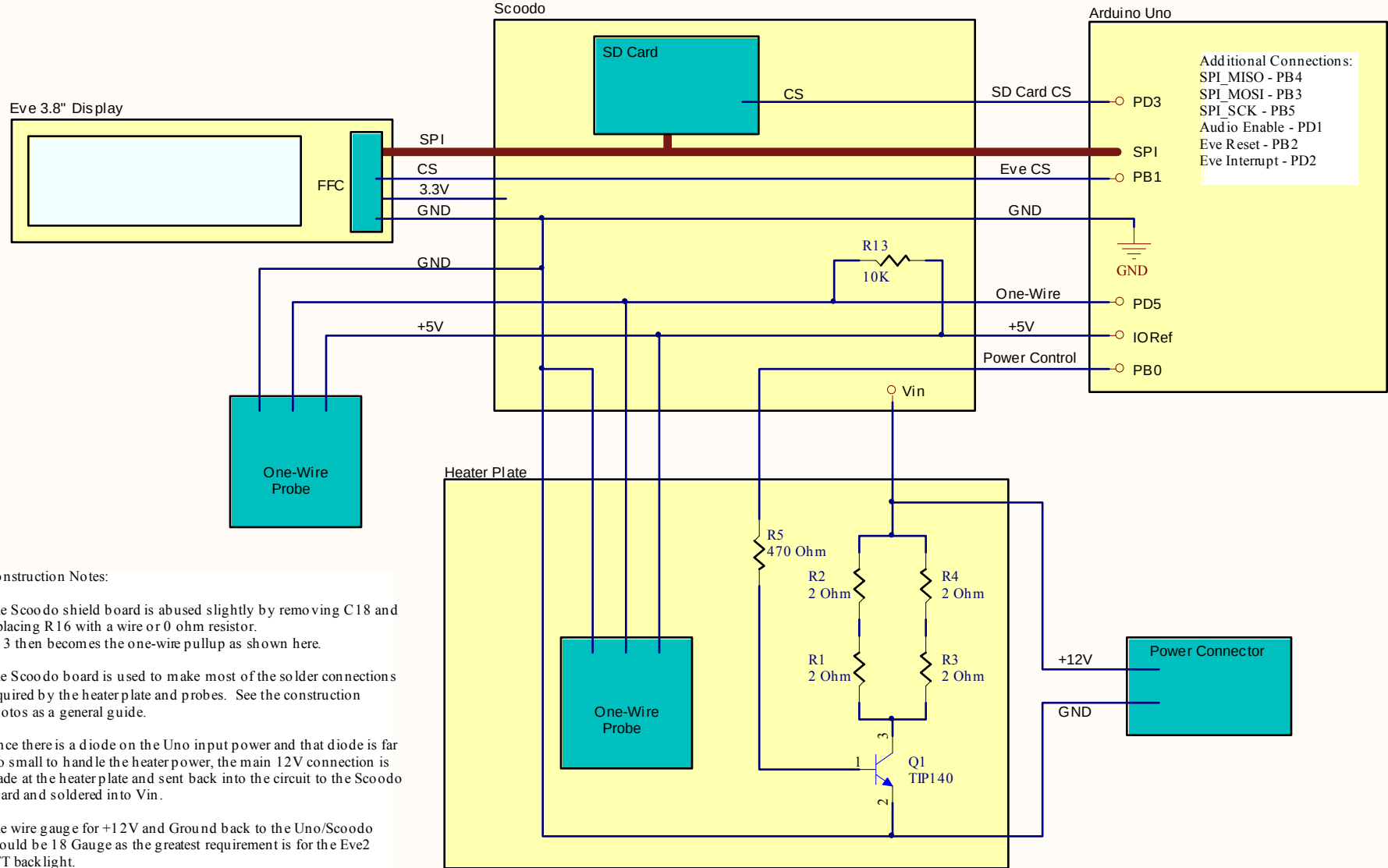


Sub-Q Warmer Assembly



Construction Notes:

The Scoodo shield board is abused slightly by removing C18 and replacing R16 with a wire or 0 ohm resistor. R13 then becomes the one-wire pullup as shown here.

The Scoodo board is used to make most of the solder connections required by the heater plate and probes. See the construction photos as a general guide.

Since there is a diode on the Uno input power and that diode is far too small to handle the heater power, the main 12V connection is made at the heater plate and sent back into the circuit to the Scoodo board and soldered into Vin.

The wire gauge for +12V and Ground back to the Uno/Scoodo should be 18 Gauge as the greatest requirement is for the Eve2 TFT backlight.

The wire gauge for incoming +12V power and Ground is 14 gauge, though it might defensibly be specified at 12 gauge. We used 14 gauge without any discernable temperature rise on the power cable.

We used a power jack with a built in 15 Amp fuse. If your jack does not incorporate a fuse, then one should be added to the heater plate assembly or inline.